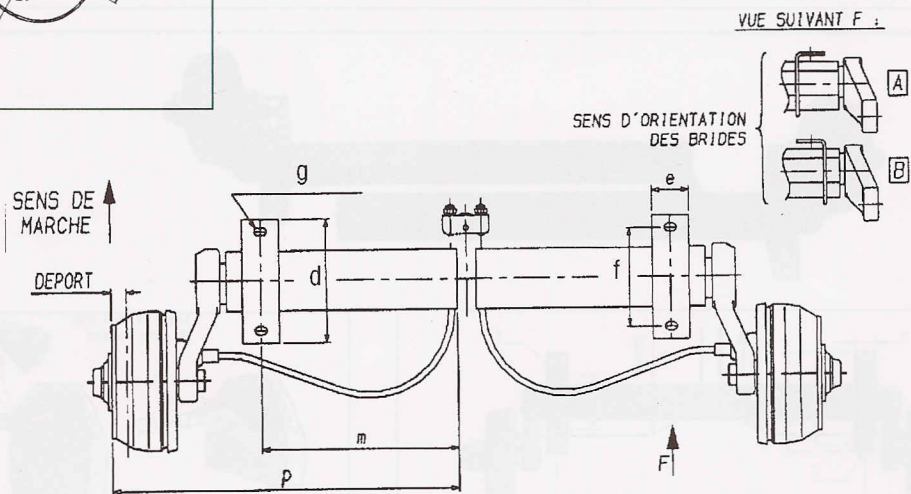
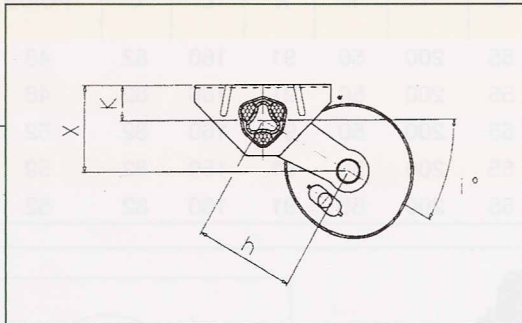
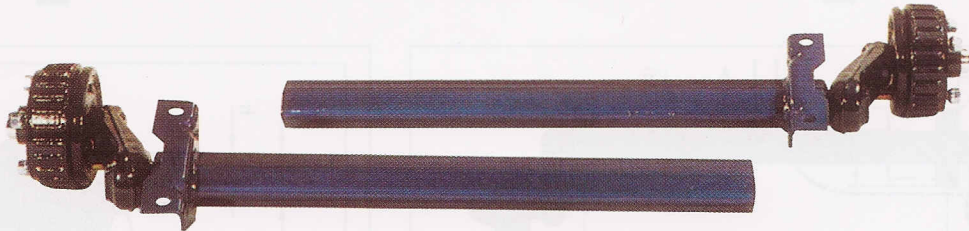


Demi-corps de 750 à 1800 kg



| REFÉRENCE | PTAC kg | TYPE essieu | TYPE frein | MOYEU perçage | DEPORT | CORPS essieu | d | e | f | g | k | x | h | i | POIDS |
|-------------|------------|----------------|---------------|------------------|--------|-----------------|-----|----|-----|----|----|-----|-----|----|-------|
| 04 J 277299 | 750 | B 700 | 1637 | 130x4 | 20 | 71 | 200 | 50 | 160 | 13 | 50 | 123 | 145 | 30 | 39 |
| 04 K 270592 | 900 | B 850 | 1637 | 130x4 | 20 | 80 | 200 | 60 | 160 | 13 | 65 | 133 | 160 | 25 | 40,5 |
| 04 K 270593 | 1000 | B 1000 | 2051 | 130x4 | 20 | 97 | 200 | 60 | 160 | 13 | 65 | 139 | 175 | 25 | 53 |
| 04 K 270594 | 1300 | B 1200 | 2051 | 130x4 | 20 | 97 | 200 | 60 | 160 | 13 | 65 | 139 | 175 | 25 | 57 |
| 04 K 277219 | 1600 | B 1600 | 2361 | 140x5 | 0 | 97 | 250 | 60 | 220 | 18 | 65 | 133 | 160 | 25 | 72 |
| 04 K 277220 | 1800 | B 2000 | 2361 | 140x5 | 0 | 120 | 320 | 70 | 280 | 18 | 75 | 144 | 200 | 20 | 103 |

AUTRE MARQUE , NOUS CONSULTER